

ELECON



POWER SAVER



ELECON INTERNATIONAL CO., LTD

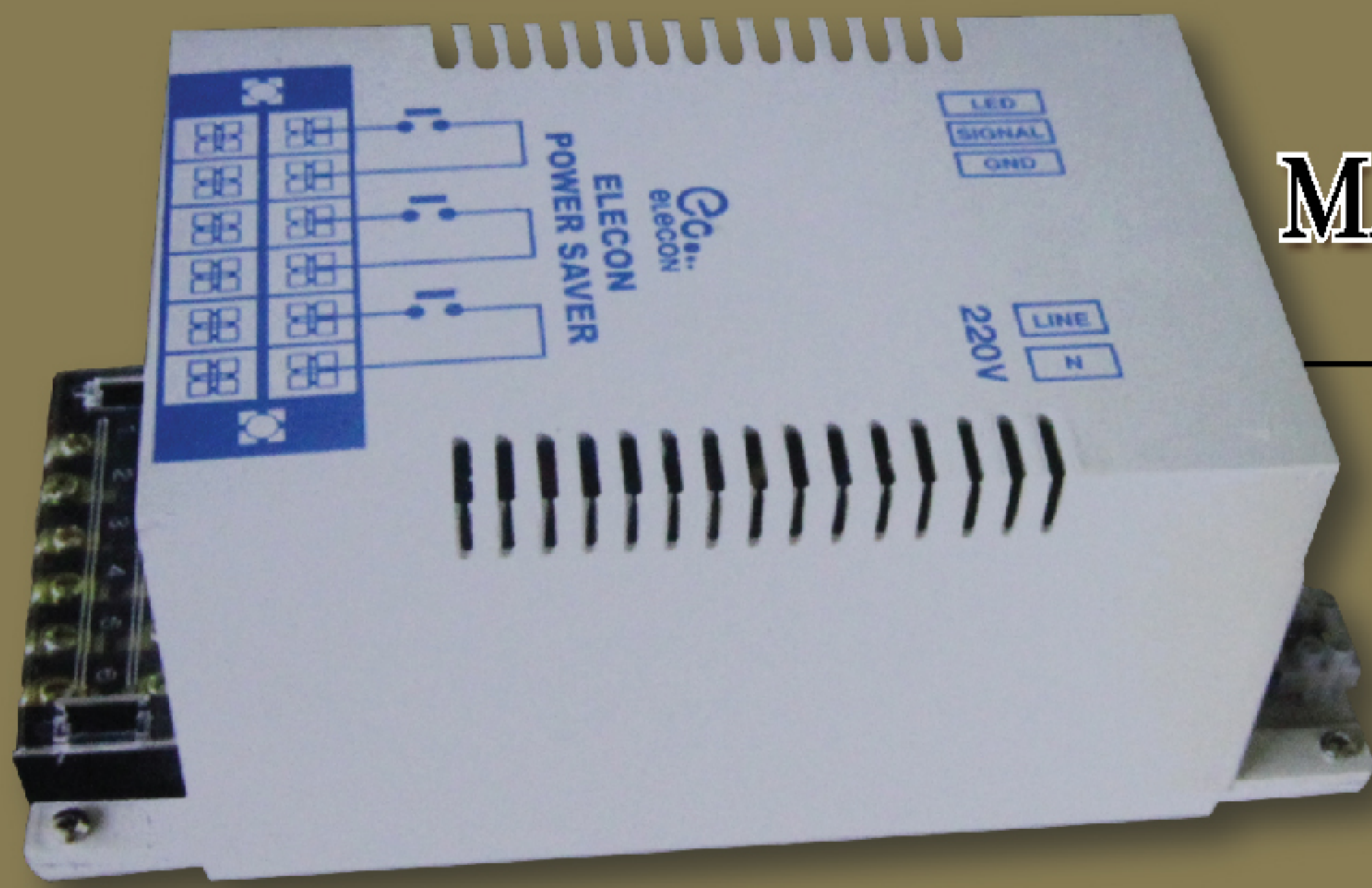
ELECON POWER SAVER

ELECON POWER SAVER

- MAIN CONTROL UNIT TYPE MAGNETIC 24 V. 30 AMP. 3 CONTACT / RELAY 30 AMP. 3 CONTACT (OMRON)
- POWER SAVER DEVICE CONSISTS OF KEY CARD HOLDER / KEY TAG HOLDER WITH KEY TAG SCREEN LOGO AND ROOM NUMBER.

ELECON POWER SAVER

- ON INSERTING THE KEY TAG INTO THE HOLDER, POWER WILL BE SUPPLIED TO THE ROOM IMMEDIATELY. UPON REMOVAL, POWER WILL BE CUT OFF WITHIN 30 TO 45 SECONDS. LIGHTING AND AIR-CONDITIONING WILL BE AUTOMATICALLY TURNED OFF.



MAIN CONTROL UNIT

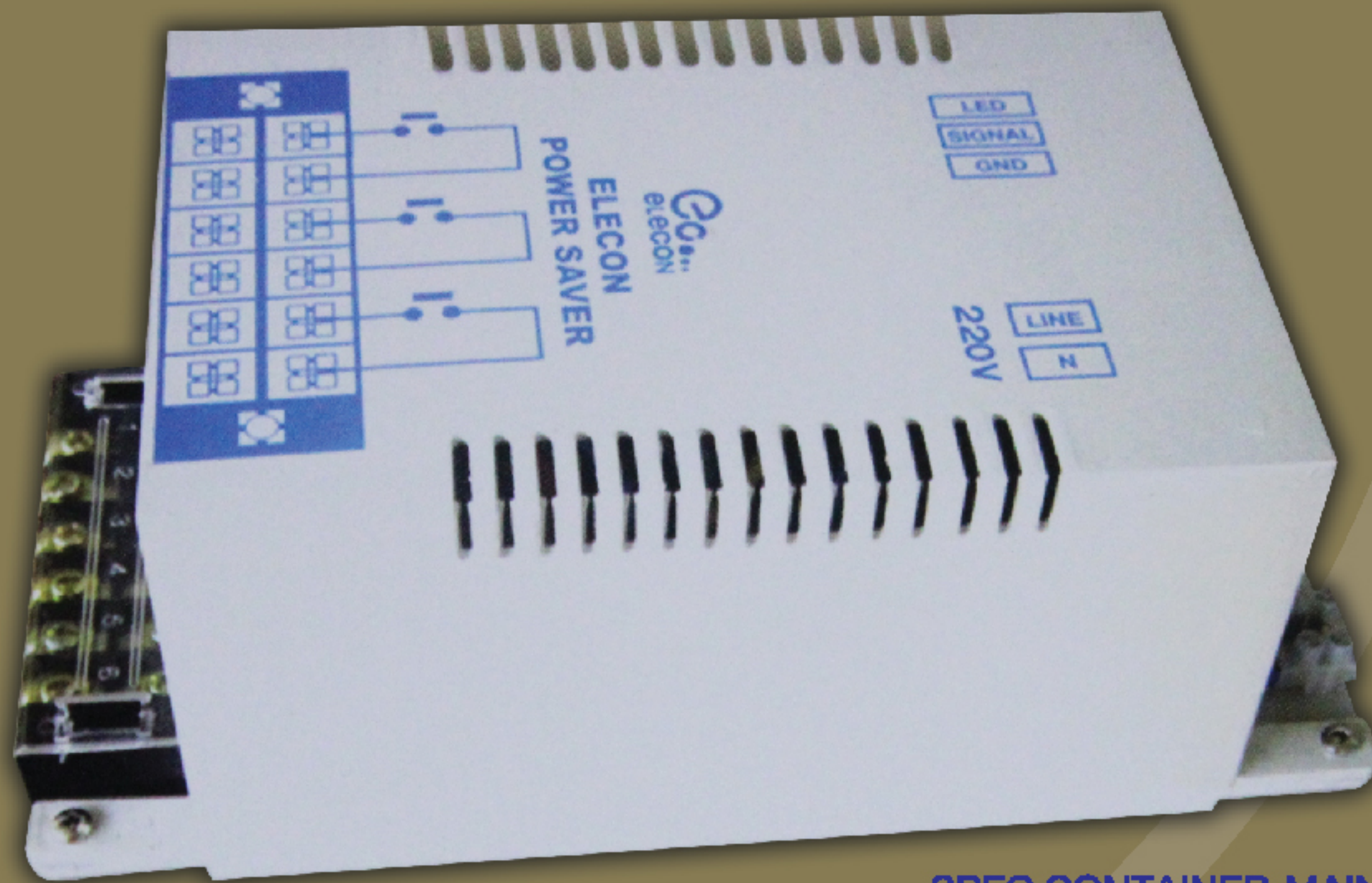


KEYCARD HOLDER

SPECIAL FEATURES OF ELECON POWER SAVER, UNIQUELY DIFFERENT FROM OTHER BRANDS

- This unit can be controlled by the hotel network system, with the date, check-in time, room rate, print facility and all data records.
- The unit can work online to report the occupancy status in order to make room services available to the guest, without interruption.
- The unit can protect the peak load consumption after any power failure. Once power is re-established it will be supplied only to any room that has the key tag inserted. This is to avoid the high loads with simultaneous connections and prevents expensive unit or system failures.
- The key tag holder gives maximum safety with low-voltage circuitry, controlling the main supply with magnetic, Reed Switch CP. Clare (ISO 9001) which is maintenance free.
- The key tag has a special sensor to prevent tampering or substitution.
- The key tag can be tailor-made according to customer's needs. It has the customer's logo front and back, gold hotstamp, and custom design.

MAIN CONTROL UNIT



SPEC.CONTAINER MAIN CONTROL UNIT
 Height = 10.5 cm.
 Length = 24.5 cm.
 Width = 12 cm.

Specifications of Main Control Unit
 Made from plastic ABS V-0 Flame Retardant
 Anti-fire, Anti-rust, and Air vents on left and right sides.

MADE IN TAIWAN

KEYTAG HOLDER / KEY CARD HOLDER
Has 4 Functional types.

Compatible with any card from every door lock brand.

1. Photo Reflect Sensor User (the colored strip)



2. Micro Switch



3. Magnetic (Used with keytag that has magnetic strip inside also indication lamp green LED for visual)



Built-in 4 mm width magnetic strip inside the keytag

4. RFID TYPE (Radio Frequency Identification)

ACCEPTED MIFARE CARD/TEMIC CARD.
 13.56 MHz. AND ISO 14443 TYPE A (MIFARE)



WARRANTY 5 YEARS

ELECON POWER SAVER TYPE MAGNETIC

30 Amp 3 Contacts



DESCRIPTIONS :

1. Codes :

- S1 : Connectors of appliances by preset.
Ex : lights
- S2 : Connectors of appliances by preset.
Ex : Outlet
- S3 : Air-conditioning Connection

2. How to act :

- A. When inserting the key tag, the connectors of S1, S2, S3 are (ON)
- B. When taking out the key tag, the connectors of S1, S2, S3 will be (OFF) in delay within 30 to 45 seconds.

FUNCTIONS & FEATURES :

Power-Saving Control for Electric Appliances

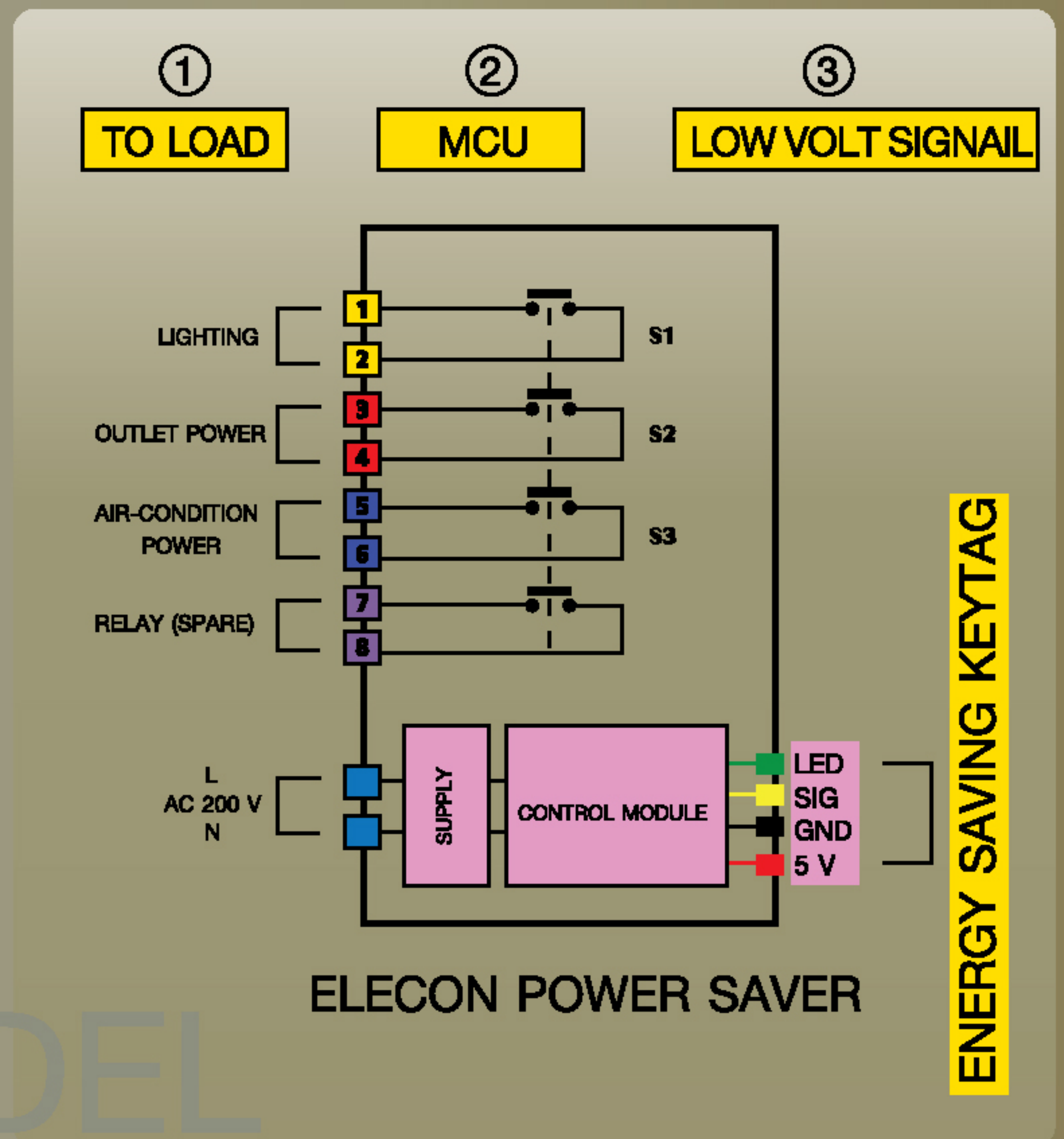
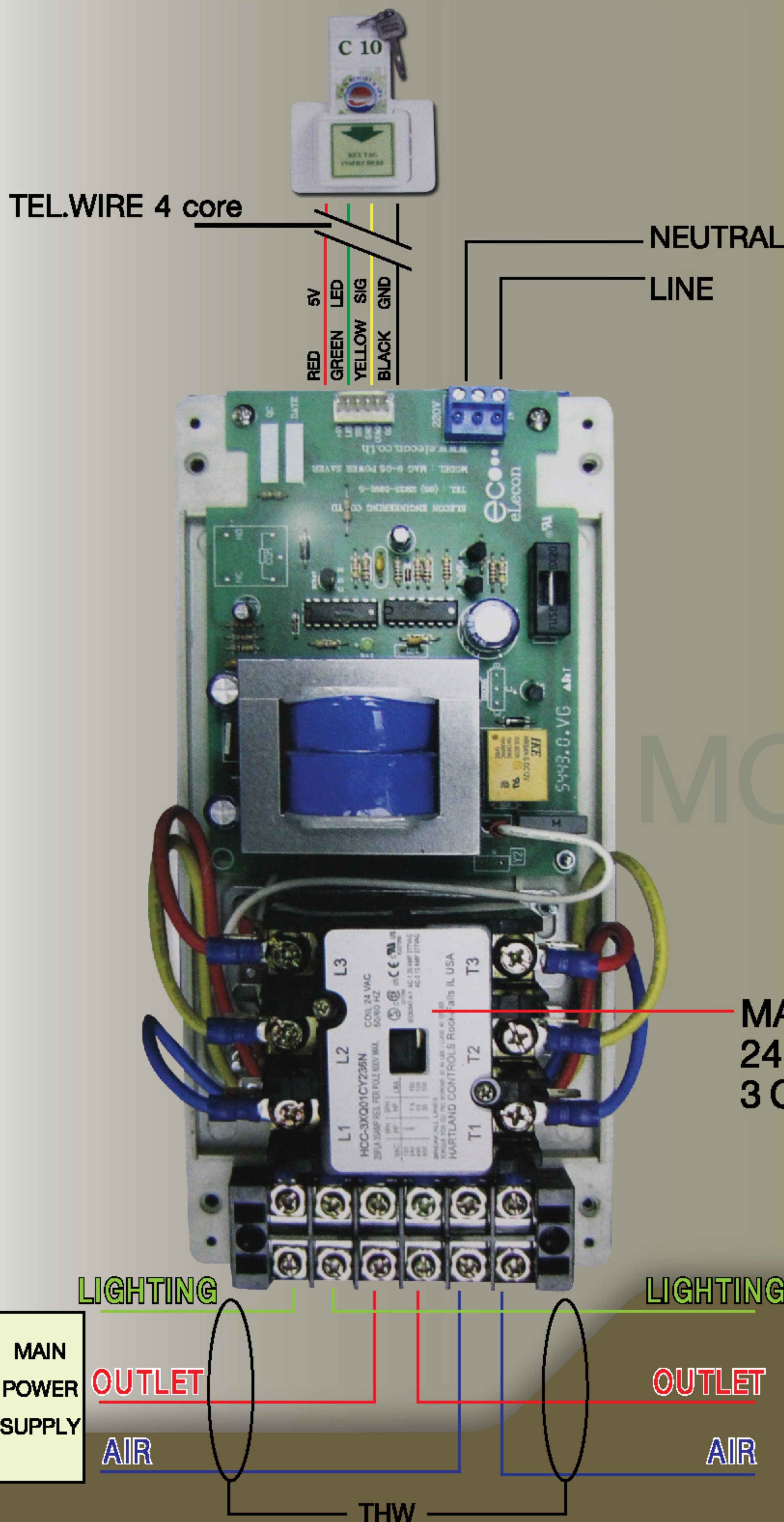
When the guest leaves the room and takes the key tag out, the preset appliances are automatically disconnected. Therefore, the hotel will be saving much power.

Power Saving for Air-Condition

This device serves the function of power supply at interval, which is controlled by MCU. The power will go on and off automatically, and it can be set from 30 to 45 seconds.

Delay Power Cut off

When the key tag is taken out, the power in the room is delayed in its cut-off within 30 to 45 seconds.

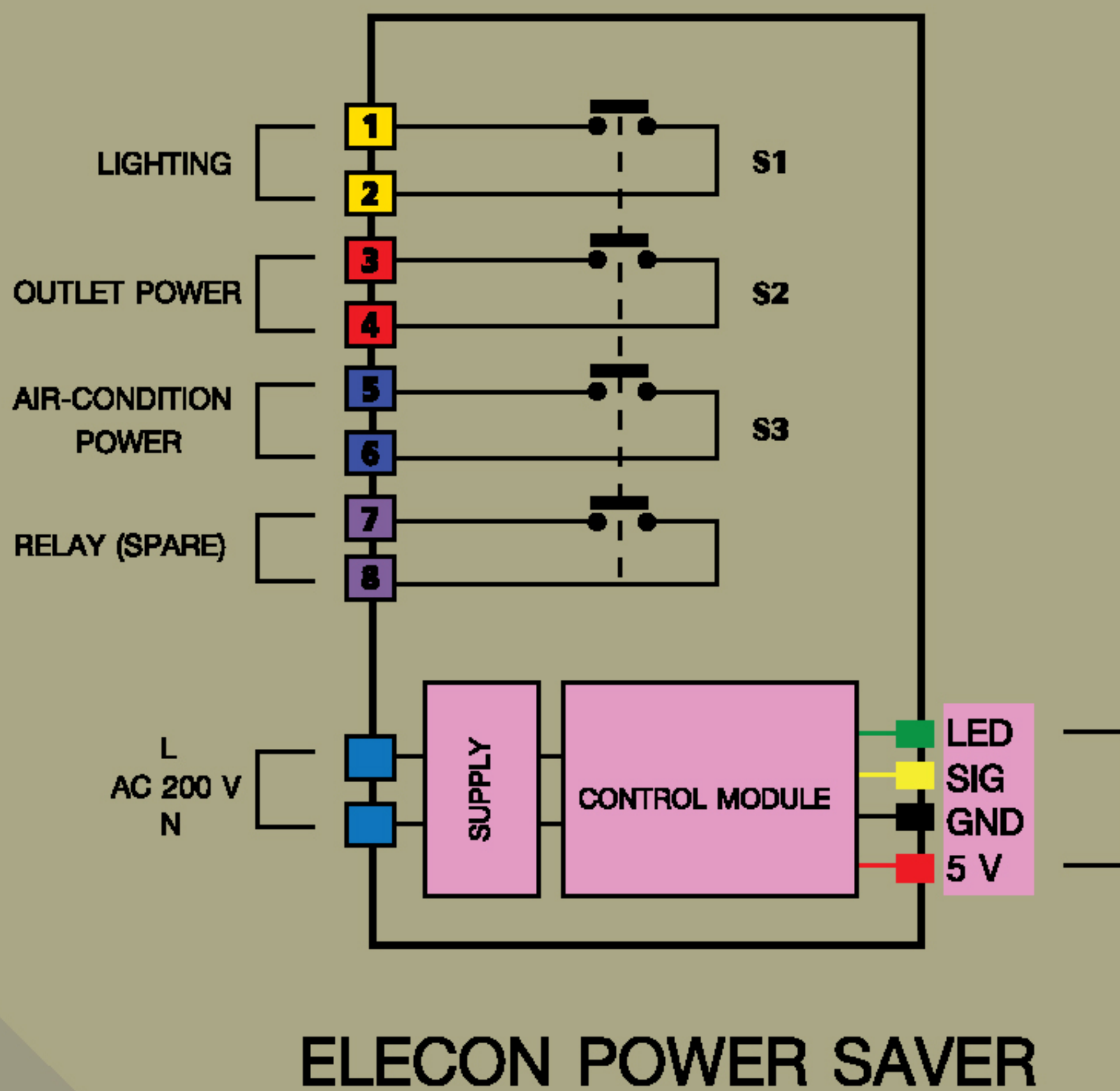
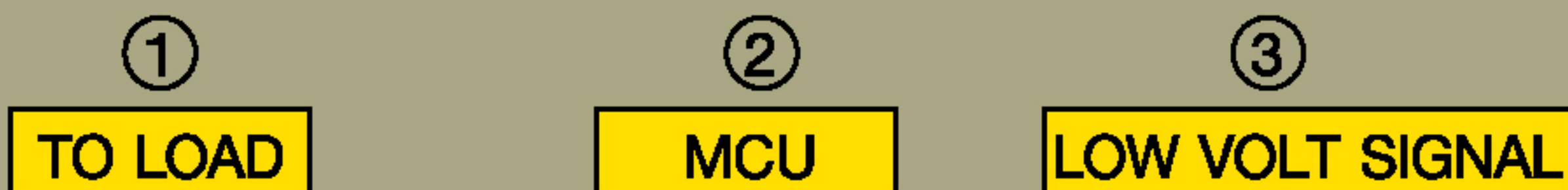


+ Expandable link to Network

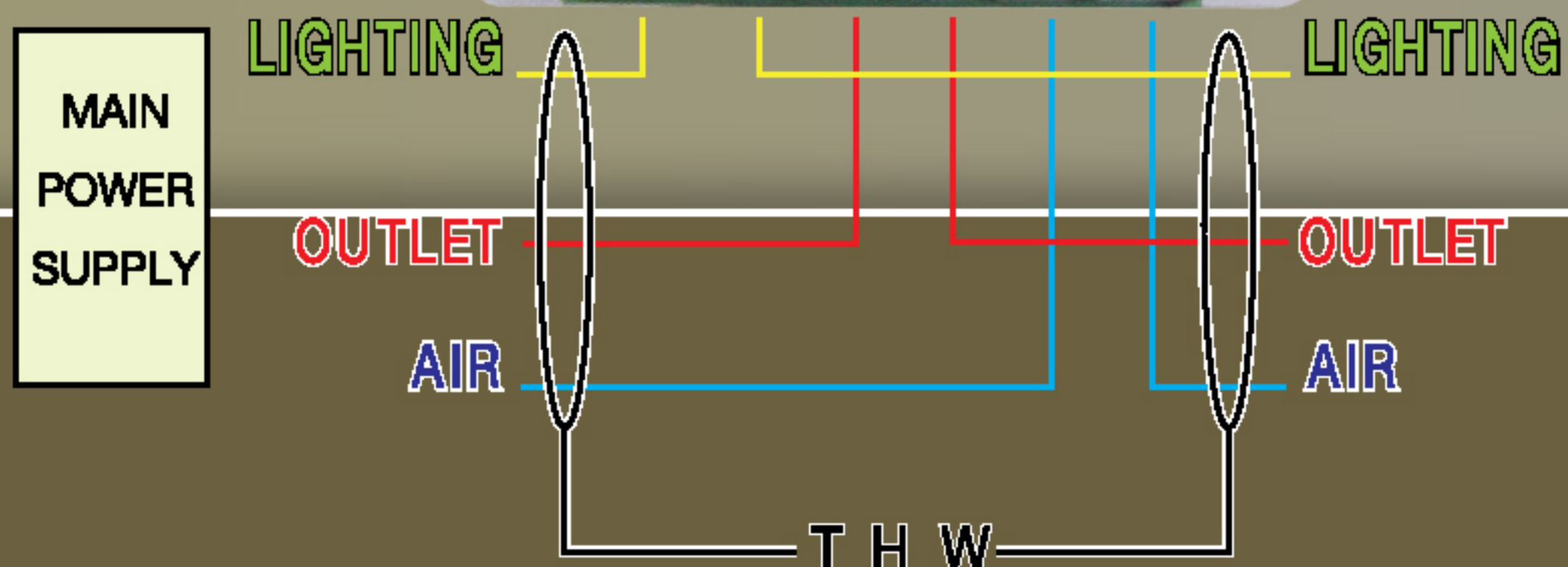
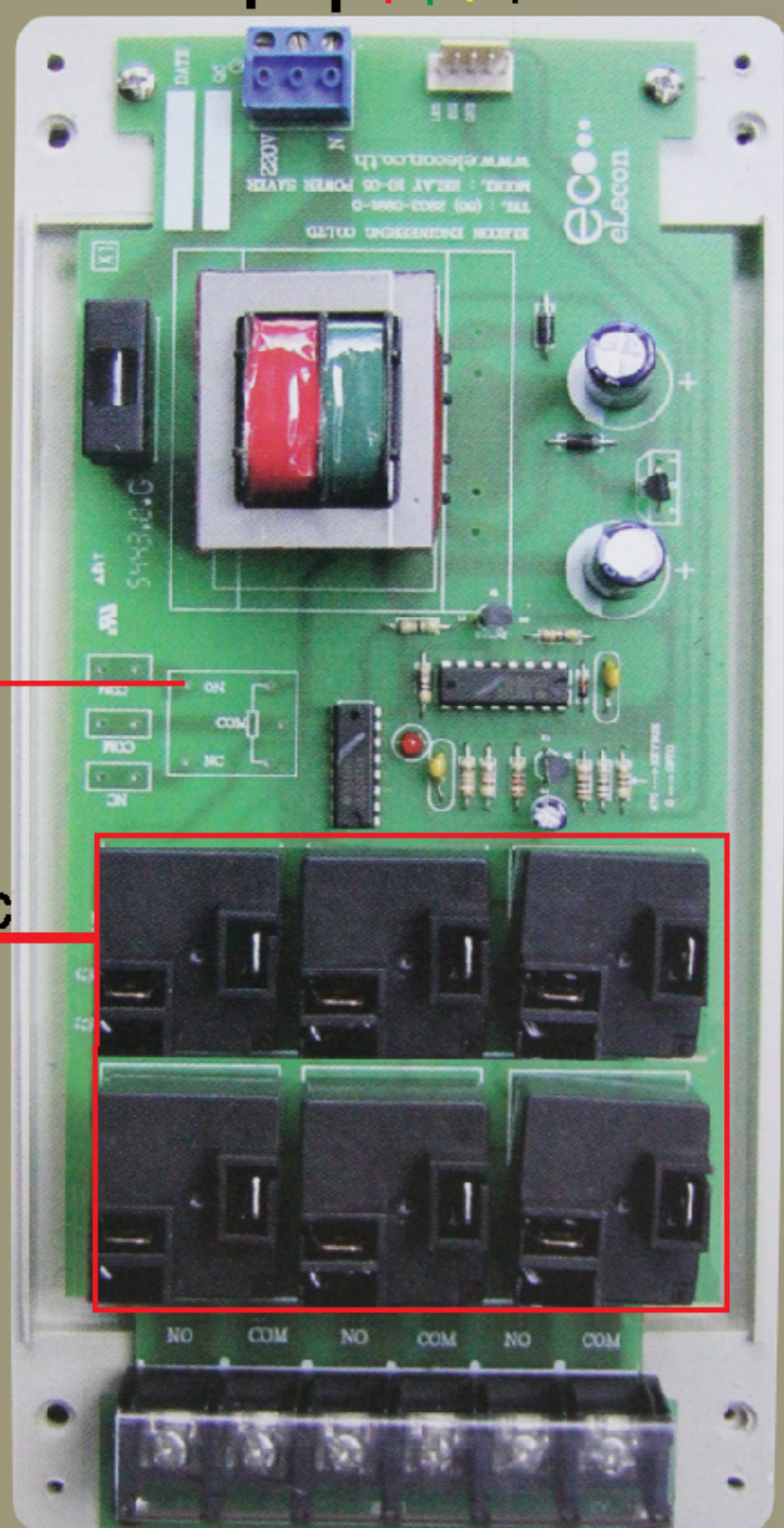
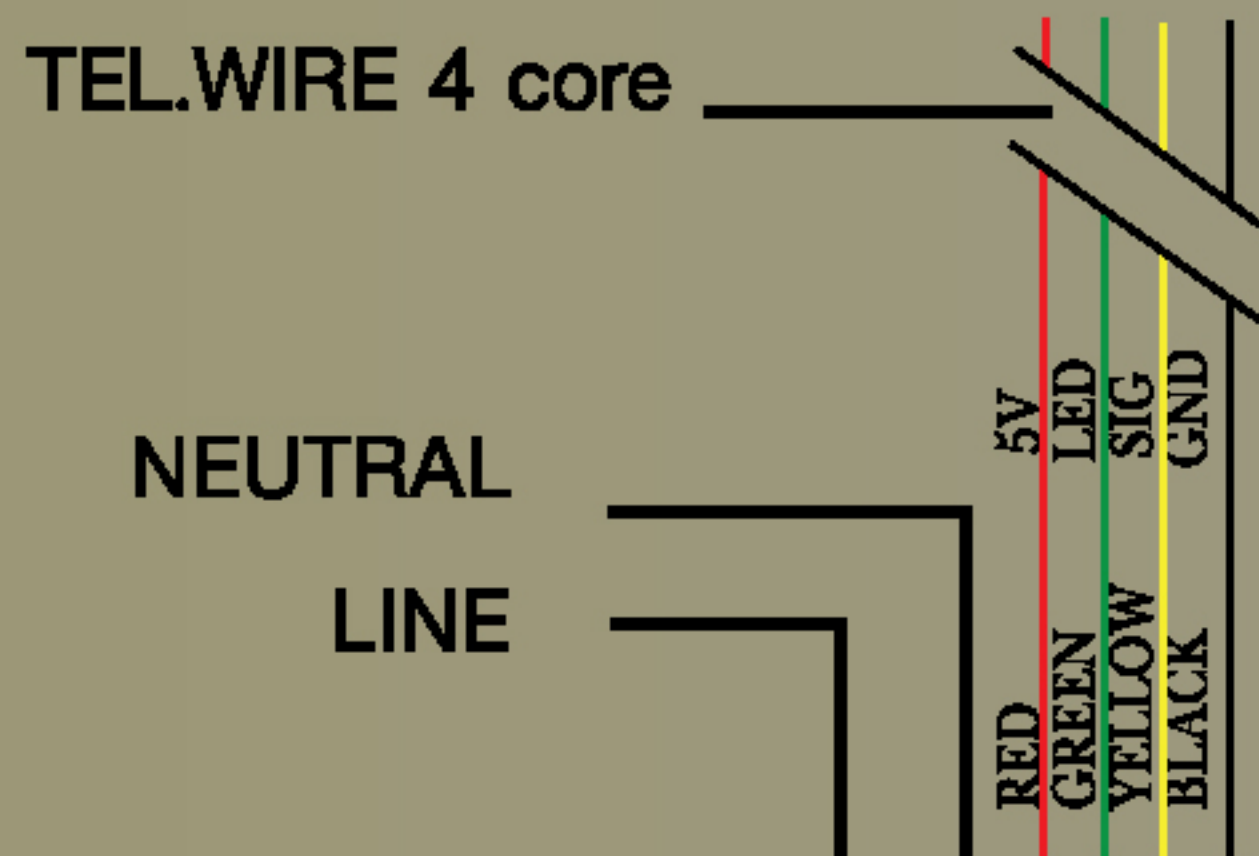


ELECON POWER SAVER TYPE RELAY

30 Amp 3 Contacts
Expandable to 6 contacts



ENERGY SAVING KEYTAG



Expandable link to Network

Example : Elecon Network System

Microsoft Word window showing a report:

Guest Check-in report : 13 Coins Tower Hotel Tiwanout
Date : 11 July 2004

No.	Bill No.	Room No.	Customer Name	Check-in Date	Check-in Time	Check-out Date	Check-out Time	Room Fee	Down Payment
91	5493	796	Thanudej	12/07	21:02	13/07	00:06	400	300
92	5494	405	Nakin	12/07	21:17	12/07	23:02	400	300
93	5495	505	Witchanok	12/07	21:22	12/07	22:42	400	300
94	5496	605	Mr Lee	12/07	21:58	13/07	08:22	600	300
95	5497	611	Adam	12/07	22:20	13/07	07:00	600	300
96	5498	407	Sithinan	12/07	22:20	13/07	09:20	600	300
97	5499	909	Wirut	12/07	22:50	13/07	09:08	700	300
98	5600	701	Prajongchit	12/07	23:03	13/07	07:30	700	300
99	5601	414	Somram	12/07	23:10	13/07	07:31	700	300
100	5602	409	Thana	12/07	23:38	13/07	07:32	700	300
101	5603	404	Thanasak	12/07	23:58	13/07	02:00	400	300

Total Guest	101	Room	Total Room Fee	51,400	Baht
Temporary Guest	23	Room	Total Down Payment	25,170	Baht
Overnight Guest	78	Room	Total Credit Card Payment	5,100	Baht
Free Guest	0	Room	Total Cash Payment	22,030	Baht
Extend Stay	0	Room			



NETWORK

The system can be linked to network.

- 24-hours Occupancy status
- Check-in and Check-out data
- Control the electricity supply (Power will not be supplied unless key tag data appears in the computer)
- Set Timer for maid to make up the room (or simply choose unoccupied period).
- Can be online with hotel office or any access points using Modem Interface.
- When someone occupies the room, the data will be recorded in the computer for the reference of the operator.
- Surge protector function (Some brands will be out-of-control against surge)

Records. The system can record the information and all related details such as.

- User (Code Number)
- Period of Time
- Room Number
- Date
- Check-in Time
- Type of Stay (Overnight or temporary)
- Extension of Stay
- Check-out Time

Every time - The system will work fully with a micro-processor unit (with computer control) response is instantaneous, silent and energy saving. Operation is continuous when linked to the computer that has emergency back-up for operations during power failures. When power is restored, memory status will still be intact

Monitor - The system will allow only the user who has password to access to the data record editing

- Has the ability to protect and monitor password,
- Record and print

SHAPE

PRODUCT

Vertical

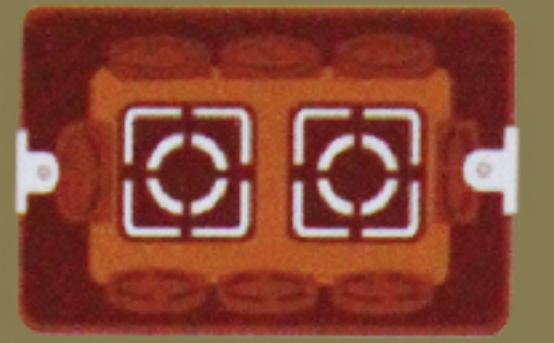
4 INCHES



2 INCHES



4 INCHES



2 INCHES

Horizontal

4 INCHES



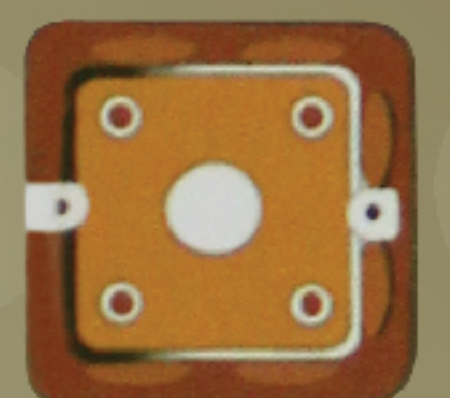
2 INCHES



4 INCHES



2 INCHES



2 INCHES

3 INCHES

ELECON NETWORK SYSTEM

Easily connects
with on-line system,
Energy saving,
Detecting Fraud, Protecting



ec...
elecon

ELECON INTERNATIONAL CO.,LTD
Designed and manufactured by
ELECON INTERNATIONAL CO.,LTD

122 Soi Intraporn Wangthonglang, Wangthonglang,
Bangkok 10310 Thailand
Tel. (66) 2933-5991-5 Fax. (66) 2933-5990
E-mail : sales@eleconthailand.com www.eleconthailand.com

Distributed by :